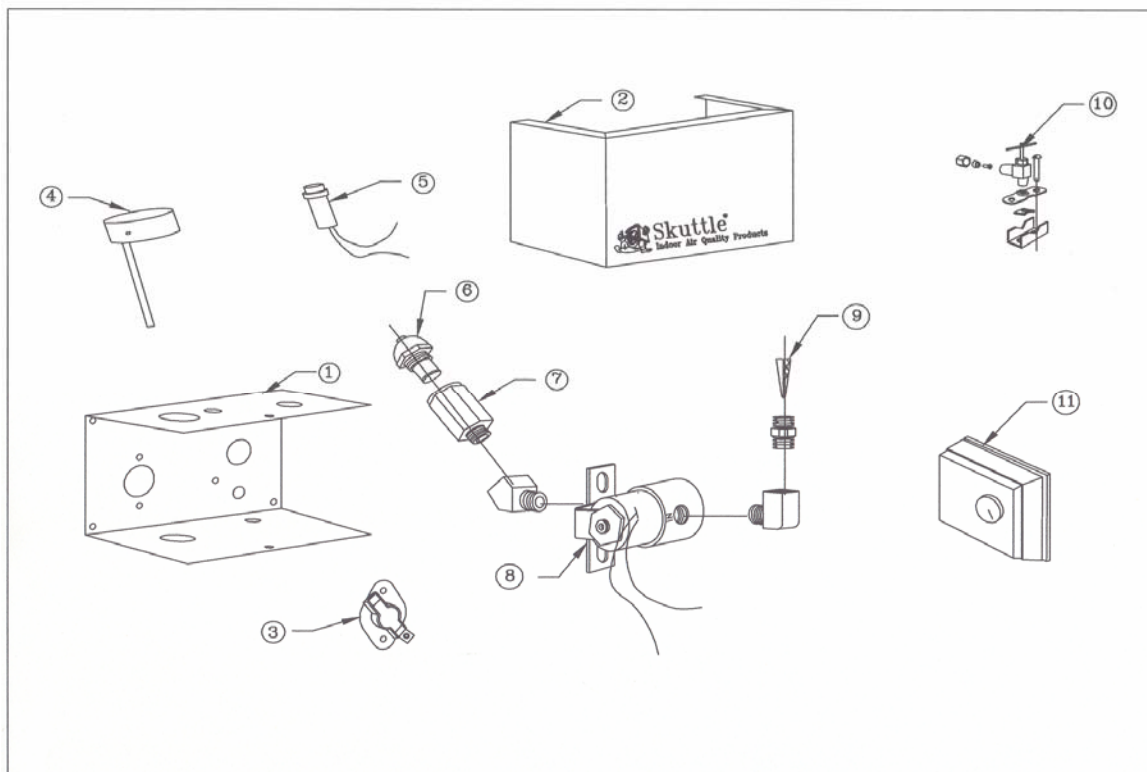


Model 592 Replacement Parts



Key Number	Part Number	Standard Package	Description
1	000-1715-013	1	Mounting Base
2	A00-0641-099	1	Cover & Label Assembly
3	000-0431-019	1	Thermal Switch (only for 592-22)
4	A00-1319-034	1	Copper Drain Basin Assembly
5	000-0814-070	1	24 VAC Indicator Light
6	000-1106-018	1	.50 G.P.H. Nozzle (factory standard)
7	000-1319-055	1	Nozzle Body
8	A01-0814-148	1	24 Volt Solenoid (Universal Kit)
9	000-1319-051	1	Inline Filter
10	A00-1128-005	1	Saddle Valve
11	SK0-0055-001	1	Humidistat Assembly
Not Shown	K00-0592-000	1	Small Parts Kit Includes 45 and 90 Degree Elbows and compression Fittings w/Filter

Additional Nozzle Sizes Available

6	000-1106-017	1	.37 G.P.H. Nozzle
6	000-1106-019	1	.75 G.P.H. Nozzle
6	000-1106-020	1	1.0 G.P.H. Nozzle
6	000-1106-021	1	1.5 G.P.H. Nozzle
6	000-1106-022	1	2.0 G.P.H. Nozzle